

More Profit Straight from the Keg



Perlick®

From Keg...

If dispensed properly, draft beer will generate major profits for an operator. That's why it pays to choose a Perlick Century Beer System. Century has been the preferred choice of smart operators for over 35 years. We know more about profitable draft beer dispensing than anyone else in the industry, because we pay attention to detail.

1 Tapping the Keg

Perlick doesn't use just any coupler to tap a keg. We offer a unique, patented tapping device called the **EKS Coupler**. It senses when a keg is empty, shuts off the beer flow, yet leaves the line fully packed with beer. The Perlick Smart Coupler is the only keg coupler on the market today with an integral keg shut-off device to help eliminate foaming, wasted beer, and dissatisfied customers.



2 Pressure Sources

Next, using the right pressure source to force beer from the keg is critical. So we'll suggest a pressure source that's appropriate for your application. It may be CO₂ for a low pressure system or a CO₂/nitrogen blend for a high pressure system. Or if you're planning to have multiple stations, longer runs or higher lifts, beer pumps may be the best choice. Beer pumps are economical and user friendly. A single beer pump can service up to three different faucets from just one keg, saving inventory costs and increasing precious cooler space.

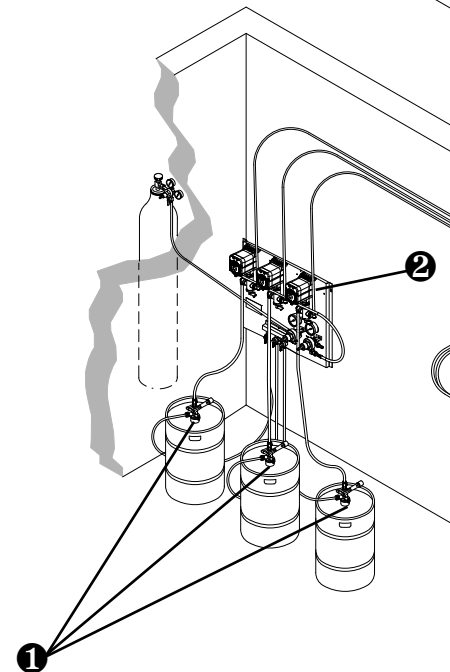
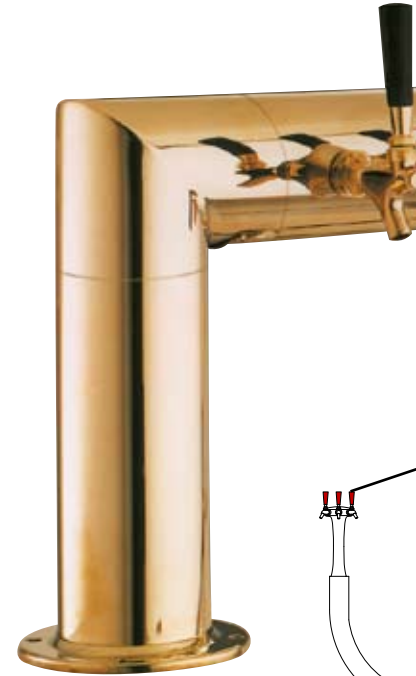


3 Glycol Chiller

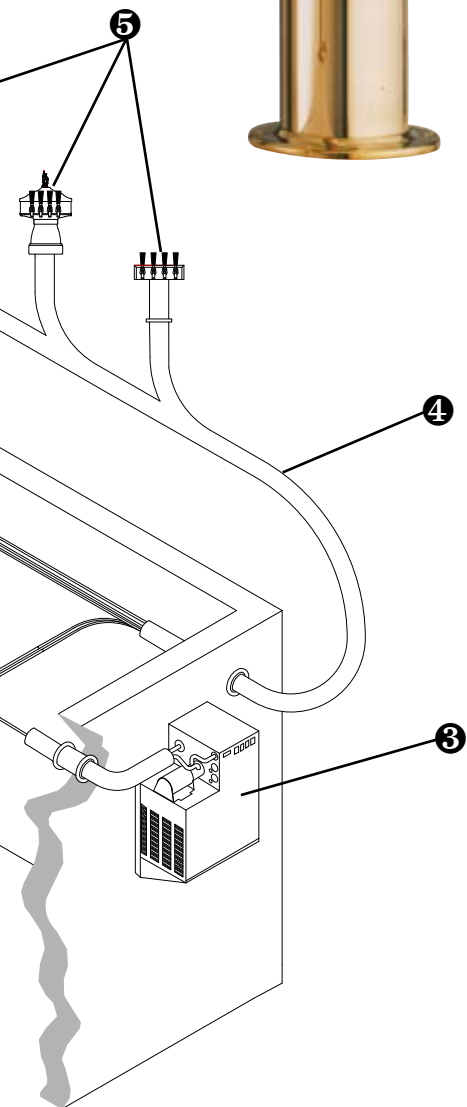
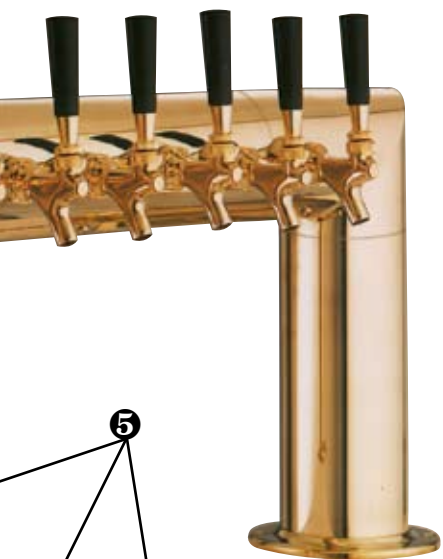
Beer must be kept at a constant temperature to ensure a consistent pour. The workhorse that makes this happen is the glycol chiller. It's used to circulate coolant throughout the system. They come in a variety of sizes and configurations and are selected to fit the individual installation. Perlick glycol chillers are durable, energy efficient and provide years of reliable service.



Century Remote Beer Dispensing



Century Dispensing Systems



...to Glass

④ The Century Trunk Housing

A trunk housing routes beer lines from the keg to the dispensing head. But not all trunk housings are created equally. The difference is inside. Perlick beer lines are **vapor sealed to pure copper** coolant lines for the entire length of the housing. Our beer lines are made from an exclusive **barrier tubing** designed for the Century System which seals in CO₂ to keep beer fresh, and seals out air which will produce an off-taste. These distinct advantages allow our housing to deliver brewery fresh beer to the customer at just the right temperature.



⑤ Century Dispensing Heads

The key component of the Century Beer System is the factory-balanced dispensing head. Before beer gets to the glass, it passes through a fully-insulated cold block keeping it cold. So beer can't warm up and foam at the faucet as it does in other systems.



Dispensing heads are available in a variety of finishes including Tarnish-Free Brass, Chrome and Stainless Steel ranging from traditional styles to custom creations. There's a style to fit almost every decor and dispensing need.

Perlick Performance Guarantee

The Century System is designed and engineered at the factory to maximize your beverage dispensing profits. We're so sure it will outperform any other beer system on the market that we guarantee your complete satisfaction. It's a guarantee you can count on, backed by Perlick which has an affiliation of over 90 years with the brewing industry.

Call your local Perlick representative today for help in designing your beer system. You'll become part of an ever-growing number of satisfied Century Beer System users.

Perlick Century Beer Systems Serve the Crowd

From family owned establishments...to chain restaurants



Since the 1960's Perlick has installed Century Beer Systems into thousands of family owned establishments like Fratello's in Green Bay, Wisconsin.



Applebee's® Neighborhood Grill & Bar selected Perlick Century Beer Systems for over 1,200 of their locations worldwide.

...Perlick Century Beer Systems satisfy even the most demanding crowd.



Century steps up to the plate at Comerica Park, home of the Detroit Tigers in Detroit, Michigan. Over 81,000 feet of trunk housing service 138 dispensing stations serving up to 40,000 fans.

Perlick®

8300 West Good Hope Road • Milwaukee, WI 53223 • www.Perlick.com
Phone: 800-558-5592 • Fax: 414-353-7069 • E-Mail: Perlick@Perlick.com